

# DISPET™

1ml 2ml 5ml 10ml

accuracy <±1%  
precision <0.2%

## A NEW HIGH QUALITY DISPENSER

- Excellent accuracy and precision
- Light weight and compact design ensure easy handling.
- Dispense mechanism is completely solvent-proof and corrosion-proof, permitting use with all liquids, except hydrofluoric acid.



# DISPET™

- Two Teflon® inlet tubes (220mm) are provided which can be cut to depth of bottle used.
- With screw cap adaptors Dispert fits most standard screw neck bottles.
- Pyrex® glass cylinder is protected by a plunger sleeve.
- Air is readily purged when Dispert is primed.
- Optional extension dispensing tube (500mm Teflon®) is available.

### OPERATION

1. Set the volume indicator to the desired volume and lock by tightening screw.
2. Remove all air bubbles and fill the dispensing nozzle by pumping the plunger several time.
3. Smoothly lift the plunger until it meets the volume indicator.
4. Gently depress the plunger as far as it will go, delivering the preset volume.

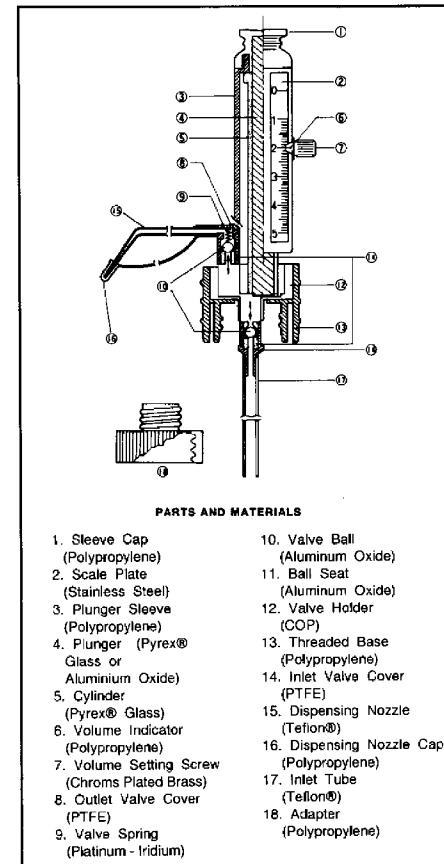
### SPECIFICATIONS

Code	Volume	Scale Graduation	Accuracy	Precision	Amber Bottle (Option)
DP-1	0.2 ~ 1 ml	0.05ml	< ±1%	< 0.2%	200ml
DP-2	0.4 ~ 2 ml	0.10ml	< ±1%	< 0.2%	200ml
DP-5	1 ~ 5 ml	0.10ml	< ±1%	< 0.2%	350ml
DP-10	2 ~ 10 ml	0.25ml	< ±1%	< 0.2%	1000ml

### ADAPTOR FOR SCREW NECK REAGENT BOTTLE



The models fit reagent bottle with 27mm threads. We can supply 9 adaptors for reagent bottles with the following threads:  
18mm, 19mm, 22mm, 24mm, 25mm, 28mm, 33mm, 38mm, and 45mm.  
1ml and 2ml models are supplied with a 22mm adaptor.



### PARTS AND MATERIALS

- |  |   |
|--|---|
| <ol style="list-style-type: none"> <li>1. Sleeve Cap (Polypropylene)</li> <li>2. Scale Plate (Stainless Steel)</li> <li>3. Plunger Sleeve (Polypropylene)</li> <li>4. Plunger (Pyrex® Glass or Aluminium Oxide)</li> <li>5. Cylinder (Pyrex® Glass)</li> <li>6. Volume Indicator (Polypropylene)</li> <li>7. Volume Setting Screw (Chroms Plated Brass)</li> <li>8. Outlet Valve Cover (PTFE)</li> <li>9. Valve Spring (Platinum - Iridium)</li> </ol> | <ol style="list-style-type: none"> <li>10. Valve Ball (Aluminum Oxide)</li> <li>11. Ball Seat (Aluminum Oxide)</li> <li>12. Valve Holder (COP)</li> <li>13. Threaded Base (Polypropylene)</li> <li>14. Inlet Valve Cover (PTFE)</li> <li>15. Dispensing Nozzle (Teflon®)</li> <li>16. Dispensing Nozzle Cap (Polypropylene)</li> <li>17. Inlet Tube (Teflon®)</li> <li>18. Adaptor (Polypropylene)</li> </ol> |
|--|---|

TEFLON-REG™ E.I.Du Pont de Nemours & Co.  
PYREX-REG™ Corning Glass Works.

Manufacturer:

**NICHIRYO CO., LTD.**

4-10, IWAMOTO-CHO 2-CHOME, CHIYODA-KU,  
TOKYO 101, JAPAN  
Tel : 81-3-5820-2411 Fax : 81-3-5820-2410  
e-mail nichiryo @TechnoWave. AD.JP

Distributor :