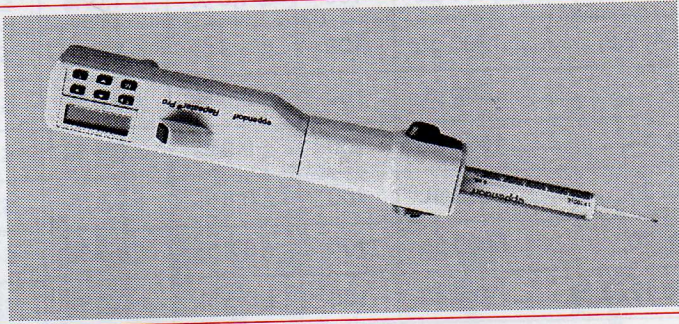


Eppendorf Repeater® Pro

Instruction Manual Manual de Instrucciones



eppendorf

Brin
One
Wee
Pho
Fax:

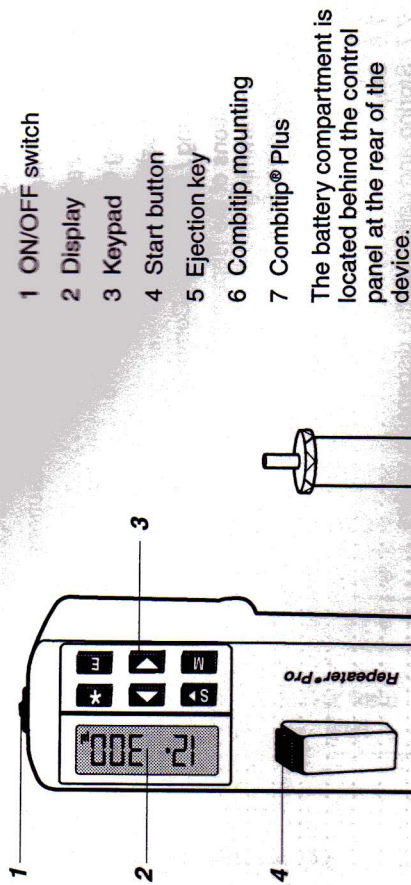
Brin
6671
Miss
Pho
Fax:

Technical Data / Datos técnicos see chapter 12 / ver apartado 12

	Vol.	Max. No. Steps	Δ		CV	
			1/10 max. Vol.	max. Vol.	1/10 max. Vol.	max. Vol.
0.1 mL Combitip	1.0, 1.2, 1.4, 100 μL	100	± 1.6 %	± 1.0 %	≤ 2.5 %	≤ 0.5 %
0.2 mL Combitip	2.0, 2.4, 2.8, 200 μL	100	± 1.3 %	± 1.0 %	≤ 1.5 %	≤ 0.5 %
0.5 mL Combitip	5, 6, 7, 500 μL	100	± 0.9 %	± 0.9 %	≤ 0.8 %	≤ 0.3 %
1.0 mL Combitip	10, 12, 14, 1000 μL	100	± 0.9 %	± 0.6 %	≤ 0.55 %	≤ 0.2 %
2.5 mL Combitip	25, 30, 35, 2500 μL	100	± 0.8 %	± 0.5 %	≤ 0.45 %	≤ 0.2 %
5.0 mL Combitip	50, 60, 70, 5000 μL	100	± 0.8 %	± 0.5 %	≤ 0.35 %	≤ 0.15 %
10.0 mL Combitip	0.10, 0.12, 0.14, 10.0 mL	100	± 0.5 %	± 0.4 %	≤ 0.25 %	≤ 0.15 %
50.0 mL Combitip	0.5, 0.6, 0.7, 50. mL	100	± 0.3 %	± 0.3 %	≤ 0.25 %	≤ 0.15 %

Δ = Inaccuracy / Inexactitud
CV = Imprecision / Imprecisión

1 Operating controls



- 1 ON/OFF switch
- 2 Display
- 3 Keypad
- 4 Start button
- 5 Ejection key
- 6 Combitip mounting
- 7 Combitip® Plus

The battery compartment is located behind the control panel at the rear of the device.

2 Applicational limitations and safety precautions

The Repeater® Pro can be used to dispense liquids with a viscosity up to that of moderately heavy mineral oils (400 m Pa sec with Combitips® Plus ≤ 10.0 mL). The technical data is based on the use of distilled water (see Section 12).

When liquids with a high vapor pressure (e.g. hexane) are dispensed, it is advisable to saturate the air bubble in the Combitip by means of vapor pressure. This is achieved by aspirating and dispensing liquid several times.

Please note that even slight contact with the Start button may trigger a dispensing procedure. Handle the device with care when dispensing toxic or inflammable liquids or liquids containing bacteria (use the charging stand). A safe working environment must also be guaranteed (flue, laboratory which conforms to safety regulations). Extensive instructions on handling bacteria or biological material are defined in national and international regulations.

Caution: The charging stand may only be used with the transformer contained in the delivery package. We do not honor any warranty or accept any responsibility for damage resulting from the use of other transformers.

3 Delivery package

- 1 Repeater® Pro
- 1 Charging stand (pipette stand)
- 1 Transformer
- 1 Instruction manual
- 1 Combitip® Plus, 2.5 mL

Fig. 1

