

The standard series of MAS electromagnetic high resolution modules is designed to be incorporated into customer's weighing systems. Operation of MAS electromagnetic high resolution module is based on an electromagnetic digital converter. Compact design and inbuilt electronics ensure great possibilities when it comes to module's adaptation capabilities. It may be installed either on technological lines or built into customer's devices. Measurements may be performed by means of a weighing pan or using an under pan weighing system. Due to high precision of a measurement it is recommended to build the module into the customer's device (e.g. draft shield), thus limiting ambient conditions influence. Power supplier for MAS weighing module comes standard.

Possibility of two hardware configurations:

- 1) MAS 220.R – module connected to an operating panel equipped with an LCD display
- 2) MAS 220.Y – module connected to an operating panel equipped with 5,7" touch panel

Features:

- ✓ Brand new construction of the electromagnetic mechanism housed in an aluminium casing,
- ✓ Reading unit of 0,1 mg,
- ✓ Protection against overloading,
- ✓ Ease of adaptation to required usage area,
- ✓ Internal adjustment,
- ✓ Cooperation with two various terminals R and Y.

Technical specification:

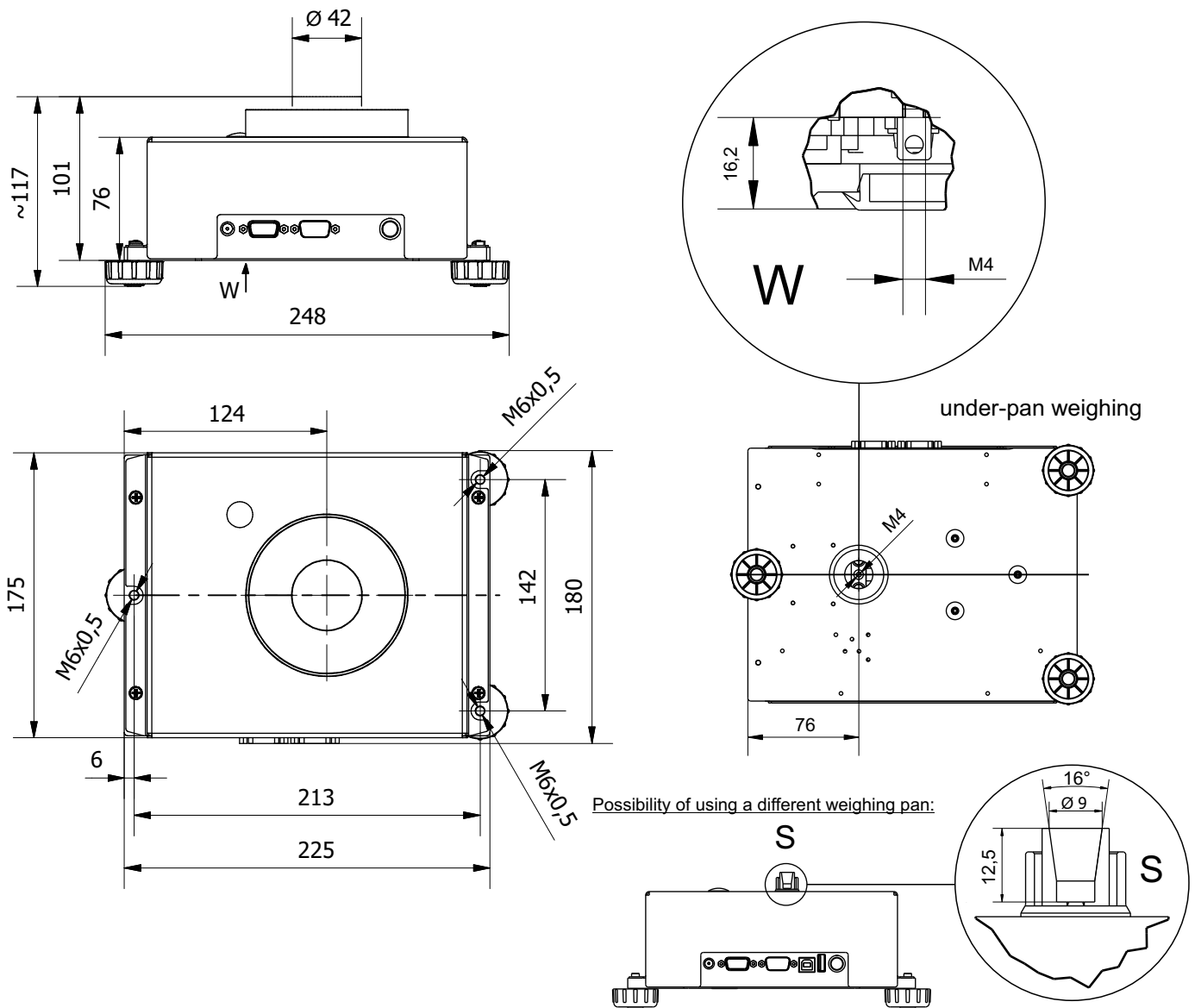
	MAS 220.R	MAS 220.Y
Max capacity [Max]	220 g	220 g
Minimum load [Min]	10 mg	10 mg
Reading unit [d]	0,1 mg	0,1 mg
Tare range	-220 g	-220 g
Repeatability *	0,1 mg	0,1 mg
Linearity	± 0,2 mg	± 0,2 mg
Weighing pan size	Ø 42 mm	Ø 42 mm
Working temperature	+10° ÷ +40 °C	+15° ÷ +35 °C
Relative humidity **	40% ÷ 80%	
IP Rate	IP 32	
Stabilization time ***	3,5 s	
Sensitivity drift	1 ppm/°C in temperature range +15° ÷ +35 °C	
Display	operating panel equipped with an LCD display	operating panel equipped with 5,7" touch panel
Cable length Panel - Module	1 meter (optionally up to 5 m)	
Interface	2×RS232, 2×WE PRINT / TARA	2×RS232, 2×USB, 1×Ethernet, 4×WE, 4×WY
Power supply	12 ÷ 16 V DC	13,5 ÷ 16 V DC
Adjustment	internal	
Housing	aluminium	
Net weight	3600 g	3670 g
Dimensions	248 × 180 × 117 mm	
Packaging size	515 × 340 × 285 mm	

* Repeatability is expressed as a standard deviation from 10 weighing cycles

** Non-condensing conditions

*** Optimal ambient conditions

Dimensions:



Additional equipment:

SAL/STONE Granite Anti-Vibration Table	DJ-02 Antistatic Ionizer
Anti-Vibration Table for Laboratory Balances	ZR-02 Power Adapter
Professional Weighing Table	Mass Standard
Under-pan Weighing Rack	Adjustment Weight
"PW-WIN" PC Software	RS 232 cable (balance - computer) "P0108"
„RAD-KEY" PC Software	TARE, PRINT" Foot Button

RADWAG USA L.L.C.

19599 NE 10th Ave., #E, • North Miami Beach, FL, 33179 • USA

Phone: 1-305-651-3522 • Fax: 1-305-651-3523 • <http://radwagusa.com> • e-mail: office@radwagusa.com