

Transport Medium & Swab

UTM / VTM / ITM

- Universal Transport Medium
- Viral Transport Medium
- Inactivation Transport Medium

Nasopharyngeal Swab

Oropharyngeal Swab



NEST SWAB

ADVANTAGE:

Nest nylon flocked swabs provide optimum specimen collection because of their ability to collect more specimen at the collection site and to more rapidly release the entire samples specimen.

Nasopharyngeal Swab & Oropharyngeal Swab



- Swab head is flocked nylon, and swab shaft is made of ABS (Acrylonitrile butadiene styrene).
- Non toxic
- Individually wrapped and sterile
- CE, FDA, ISO certified

Cat.No.	Description	/Pk	/Cs
202003	Oropharyngeal Specimen Collection Swab, Individually Wrapped, Sterile	100	5000
202004	Nasopharyngeal Specimen Collection Swab, Individually Wrapped, Sterile	100	5000



ITM (Inactivation Transport Medium)

Advantage:

- ITM medium serves to both inactivate viruses and prevent nucleic acid degradation.
- Room temperature transport
- Samples can be stored at room temperature for 20 days.
- Used for collection, storage and transportation of viruses, chlamydiae, mycoplasma and ureaplasma.

Cat.No.	Description	/Pk	/Cs
202001	5 mL Vial Filled with 2 mL ITM Medium (10 Pcs / Pack) Oropharyngeal Swab (Individually Wrapped, Sterile)	10	50
202006	10 mL Vial Filled with 3 mL ITM Medium Packaged with One Oropharyngeal Swab, Sterile	1	100
202005	5 mL Vial Filled with 2 mL ITM Medium (10 Pcs / Pack) Nasopharyngeal Swab (Individually Wrapped, Sterile)	10	50
202007	10 mL Vial Filled with 3 mL ITM Medium Packaged with One Nasopharyngeal Swab, Sterile	1	100



VTM (Viral Transport Medium)

- Used for collection, storage and transportation of human nasopharyngeal virus samples.
- Unused VTM medium can be transported at room temperature.
- Sample transport temperature requirement & storage time: 2 to 4 C°, 48h.

Cat.No.	Description	/Pk	/Cs
202011	5 mL Vial Filled with 2.5 mL VTM Medium (10 Pcs / Pack) Oropharyngeal Swab (Individually Wrapped, Sterile)	10	50
202016	10 mL Vial Filled with 3 mL VTM Medium Packaged with One Oropharyngeal Swab, Sterile	1	100
202015	5 mL Vial Filled with 2.5 mL VTM Medium (10 Pcs / Pack) Nasopharyngeal Swab (Individually Wrapped, Sterile)	10	50
202017	10 mL Vial Filled with 3 mL VTM Medium Packaged with One Nasopharyngeal Swab, Sterile	1	100

UTM (Universal Transport Medium)

- Used for collection, storage and transportation of viruses, chlamydiae, mycoplasma and ureaplasma.
- Unused UTM medium can be transported at room temperature.
- Sample transport temperature requirement & storage time: 2 to 4 C°, 48h.

Cat.No.	Description	/Pk	/Cs
202021	5 mL Vial Filled with 2.5 mL UTM Medium (10 Pcs / Pack) Oropharyngeal Swab (Individually Wrapped, Sterile)	10	50
202026	10 mL Vial Filled with 3 mL UTM Medium Packaged with One Oropharyngeal Swab, Sterile	1	100
202025	5mL Vial Filled with 2.5 mL UTM Medium (10 Pcs / Pack) Nasopharyngeal Swab (Individually Wrapped, Sterile)	10	50
202027	10 mL Vial Filled with 3 mL UTM Medium Packaged with One Nasopharyngeal Swab, Sterile	1	100



Product Instructions



Peel apart the package



Remove the sterilized swab to collect samples



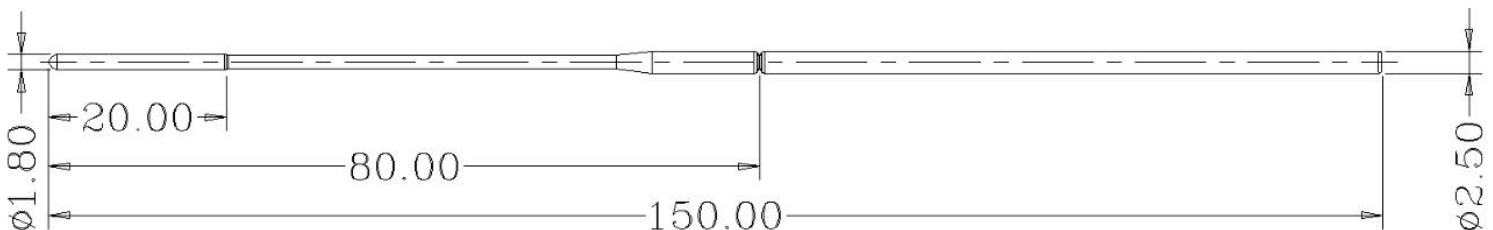
Insert the swab into transport medium and break the handle at breakpoint after sampling.



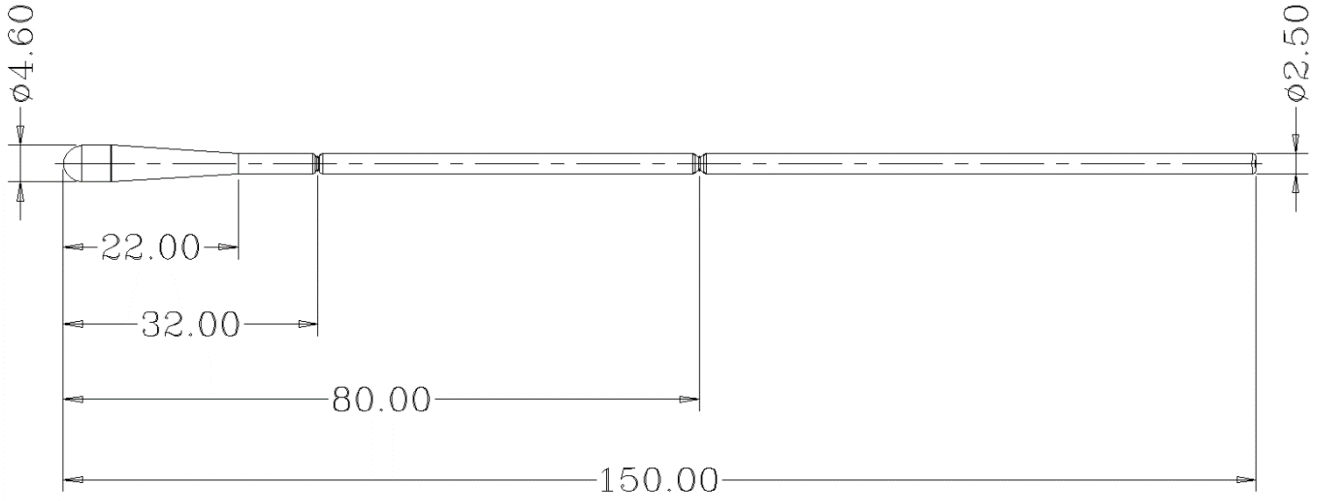
Tighten the cap to secure.

Technical Drawing

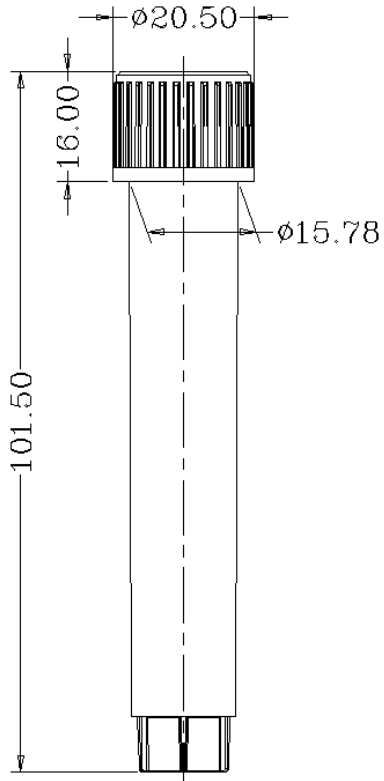
Nasopharyngeal Specimen Collection Swab



Oropharyngeal Specimen Collection Swab



10 mL Vial



5 mL Vial

